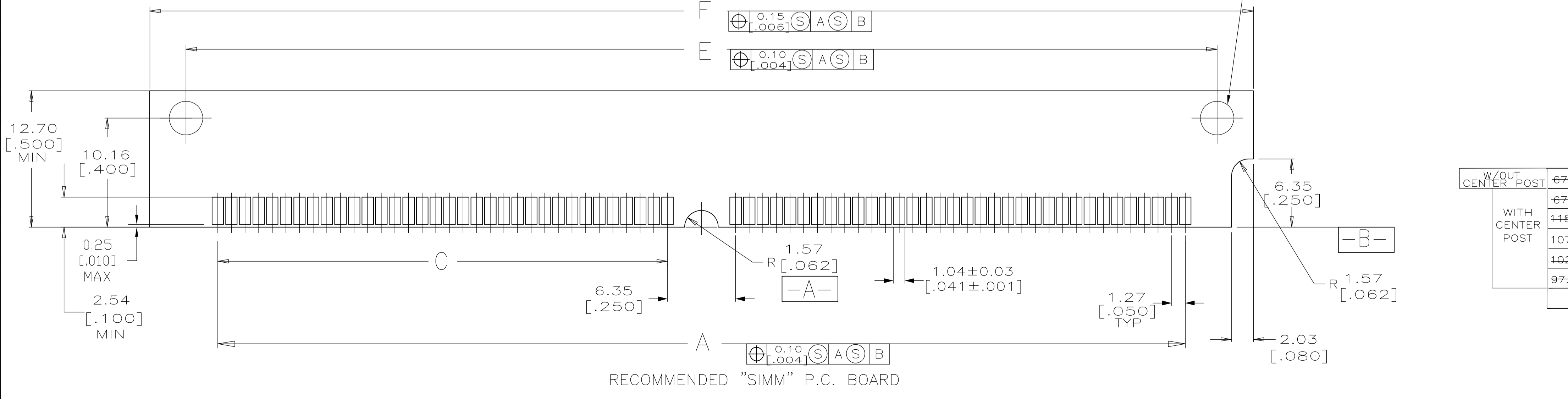
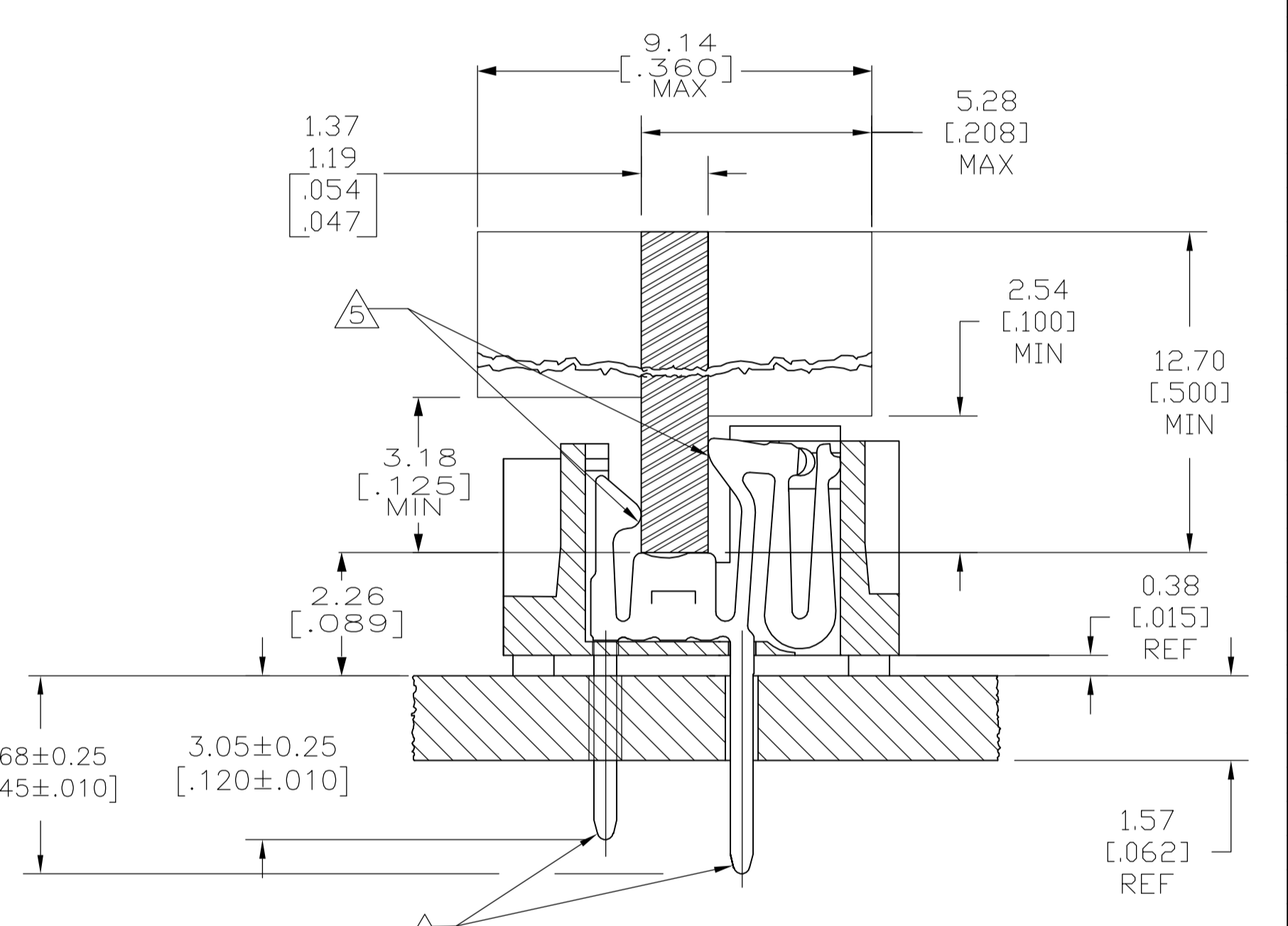
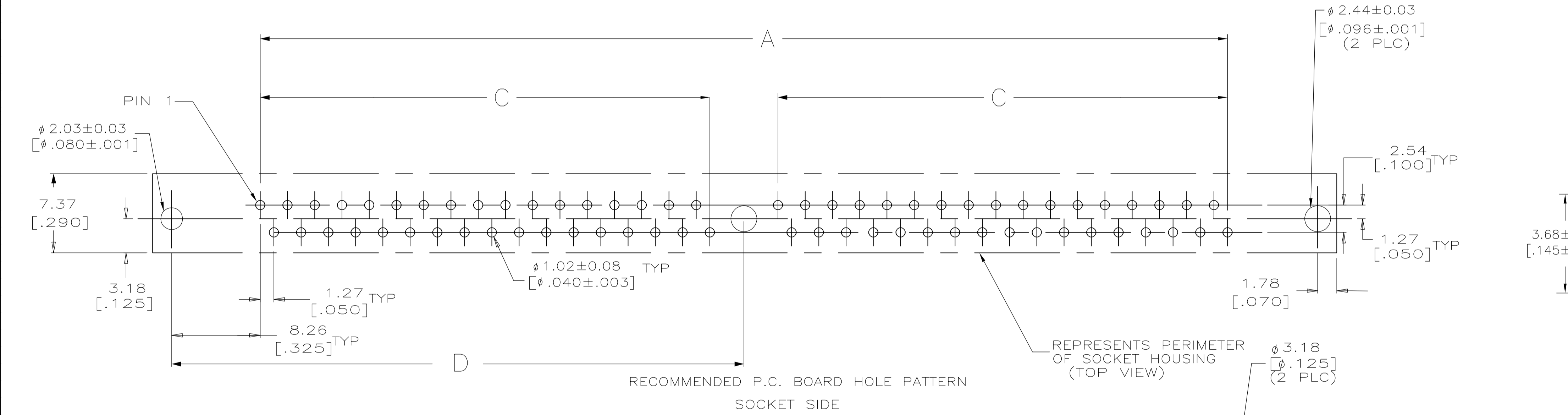


- △ HOUSING-MATERIAL : LIQUID-CRYSTAL-POLYMER, COLOR:NATURAL.
 - △ CONTACT-MATERIAL : PHOS. BRONZE.
 - △ LATCH-MATERIAL : BRASS, NICKEL PLATE.
 - △ CONTACT-PLATE 0.00127 [.000050] MIN NICKEL ALL OVER.
 - △ CONTACT-PLATE 0.00076[.000030] MIN. GOLD AT CONTACT PTS.
 - △ CONTACT SOLDER-TAILS-PLATE 0.00508[.000200] MIN TIN/LEAD.
7. IN ADDITION TO THOSE RECOMMENDED "SIMM" P.C. BOARD DIMENSIONS AND TOLERANCES SHOWN, ALL JEDEC SPECIFICATIONS APPLY AS SHOWN ON MO-116, ISSUE A.
8. RECOMMENDED MATING S.I.M.M. TAB METALLURGY:
 BASE METAL-COPPER. PLATING TO BE 0.00076[.000030] MIN GOLD OVER 0.00127[.000050] MIN NICKEL.
- △ OBSOLETE.
- △ DATE CODE: (YEAR WEEK) XXXX FORMAT, LOCATED APPROXIMATELY AS SHOWN ON OPPOSITE SIDE.



	W/OUT CENTER POST	67.31[2.650]	60.55[2.384]	35.56[1.400]	24.13[.950]	74.93[2.950]	54.61[2.150]	40	△ 821997-6
WITH CENTER POST		67.31[2.650]	60.55[2.384]	35.56[1.400]	24.13[.950]	74.93[2.950]	54.61[2.150]	40	△ 821997-5
		118.11[4.650]	111.35[4.384]	60.96[2.400]	49.53[1.950]	125.73[4.950]	105.41[4.150]	80	△ 821997-4
		107.95[4.250]	101.19[3.984]	55.88[2.200]	44.45[1.750]	115.57[4.550]	95.25[3.750]	72	821997-3
		102.87[4.050]	96.11[3.784]	53.34[2.100]	41.91[1.650]	110.49[4.350]	90.17[3.550]	68	△ 821997-2
		97.79[3.850]	91.03[3.584]	50.80[2.000]	39.37[1.550]	105.41[4.150]	85.09[3.350]	64	△ 821997-1
		F	E	D	C	B	A	NO OF POSN	PART NO

THIS DRAWING IS A CONTROLLED DOCUMENT.		DIN	SJANOS		Tyco Electronics Corporation Harrisburg, PA 17105-3608			
DIMENSIONS: mm [INCHES]		DRN	SJANOS		CONNECTOR, MICRO-EDGE, .050, VERTICAL, GOLD PLATE, METAL LATCH			
TOLERANCES UNLESS OTHERWISE SPECIFIED:		CHK	SJANOS	SIZE		CAGE CODE	DRAWING NO	RESTRICTED TO
0 PLC	± -	APVD		WEIGHT		A1 00779C=821997		
1 PLC	± -	PRODUCT SPEC		CUSTOMER DRAWING		SCALE		4:1
2 PLC	± -	APPLICATION SPEC		SHEET		1 of 1		REV
3 PLC	± 0.13[.005]	MATERIAL		SCALE		4:1		
4 PLC	± -	FINISH		SHEET		1 of 1		
ANGLES	± -	FINISH		SHEET		1 of 1		